



U.S. Department
of Transportation

Pipeline and
Hazardous Materials
Safety Administration

IAEA CERTIFICATE OF COMPETENT AUTHORITY
SPECIAL FORM RADIOACTIVE MATERIALS

CERTIFICATE USA/0614/S-96, REVISION 5

East Building, PHH-23
1200 New Jersey Ave, SE
Washington, D.C. 20590

This certifies that the source described has been demonstrated to meet the regulatory requirements for special form radioactive material as prescribed in the regulations of the International Atomic Energy Agency¹ and the United States of America² for the transport of radioactive material.

1. Source Identification - QSA Global, Inc. Model X.1218 (Manufactured on or after January 17, 1991).
2. Source Description - Cylindrical single encapsulation constructed of stainless steel and tungsten inert gas or laser seal welded. Ceramic fiber packing is included within the encapsulation to localize the active source material. Approximate outer dimensions are 6.05 mm (0.24 in.) in diameter and 10.2 mm (0.40 in.) in length. Construction shall be in accordance with attached AEA Technology QSA, Inc. Drawing No. RBA62269, Rev. A.
3. Radioactive Contents - No more than 555 MBq (15 mCi) of Cesium-137 in a glass matrix.
4. Management System Activities - Records of Management System activities required by Paragraph 306 of the IAEA regulations shall be maintained and made available to the authorized officials for at least three years after the last shipment authorized by this certificate. Consignors in the United States exporting shipments under this certificate shall satisfy the requirements of Subpart H of 10 CFR 71.
5. Expiration Date - This certificate expires on January 31, 2027. Previous editions which have not reached their expiration date may continue to be used.

¹ "Regulations for the Safe Transport of Radioactive Material, 2012 Edition, No. SSR-6" published by the International Atomic Energy Agency (IAEA), Vienna, Austria.

² Title 49, Code of Federal Regulations, Parts 100-199, United States of America.

CERTIFICATE USA/0614/S-96, REVISION 5

This certificate is issued in accordance with paragraph(s) 804 of the IAEA Regulations and Section 173.476 of Title 49 of the Code of Federal Regulations, in response to the January 4, 2022 petition by QSA Global, Inc., Burlington, MA, and in consideration of other information on file in this Office.

Certified By:



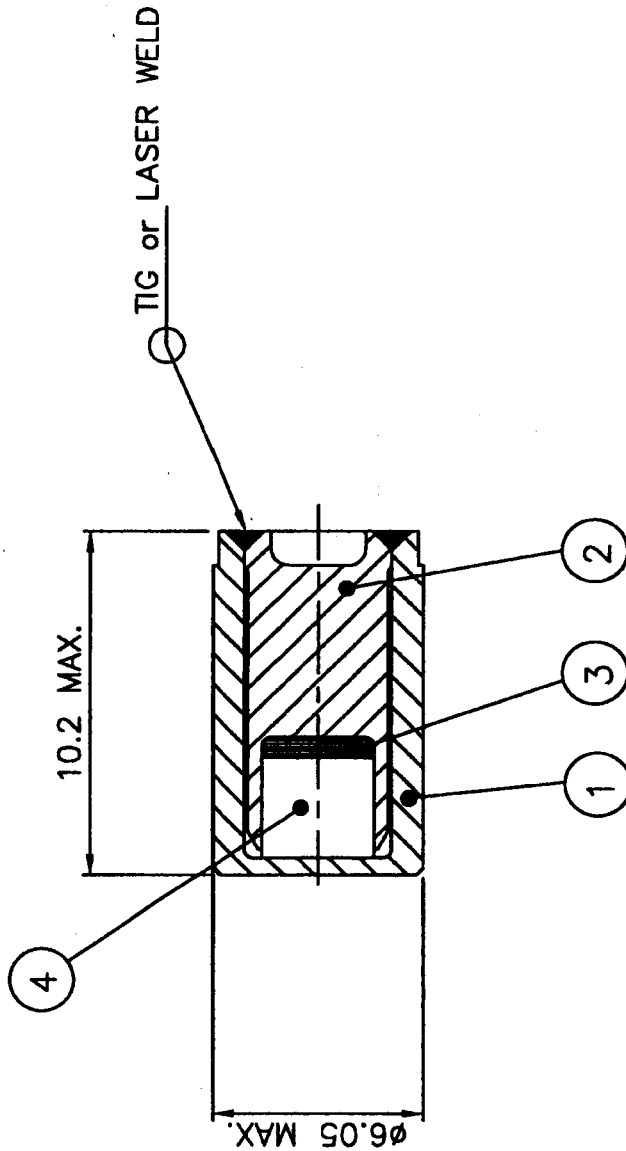
January 20, 2022


(DATE)

 William Schoonover
Associate Administrator for Hazardous
Materials Safety

Revision 5 - Issued to extend the expiration date.

Item	Description	Material	QTY
1	BODY	STAIN.STL	1
2	LID	STAIN.STL	1
3	PACKING	CERAMIC FIBER	A/R
4	ACTIVE MATERIAL		A/R



 40 NORTH AVE, BURLINGTON, MA 01803		DESCRIPTIVE DRAWING	
APPROVALS <i>R. J. [Signature]</i> 17 17/03 <i>[Signature]</i> 17 17/03 <i>[Signature]</i> 17 17/03		TITLE X1218 CAPSULE ASSEMBLY	
DIMENSIONS IN MILLIMETERS UNLESS OTHERWISE STATED TOLERANCES: X ±0.5 X.X ±0.1 X.XX ±0.05 ANGULAR ±5°		SIZE A	
DWG. NO. RBA62269		REV A	
SCALE: N/A		SHEET 1 OF 1	



U.S. Department of
Transportation

**Pipeline and
Hazardous Materials
Safety Administration**

East Building, PHH-23
1200 New Jersey Ave, SE
Washington, D.C. 20590

CERTIFICATE NUMBER: USA/0614/S-96

ORIGINAL REGISTRANT(S) :

QSA Global, Inc.
40 North Avenue
Burlington, MA, 01803
USA